



ZENOTEK

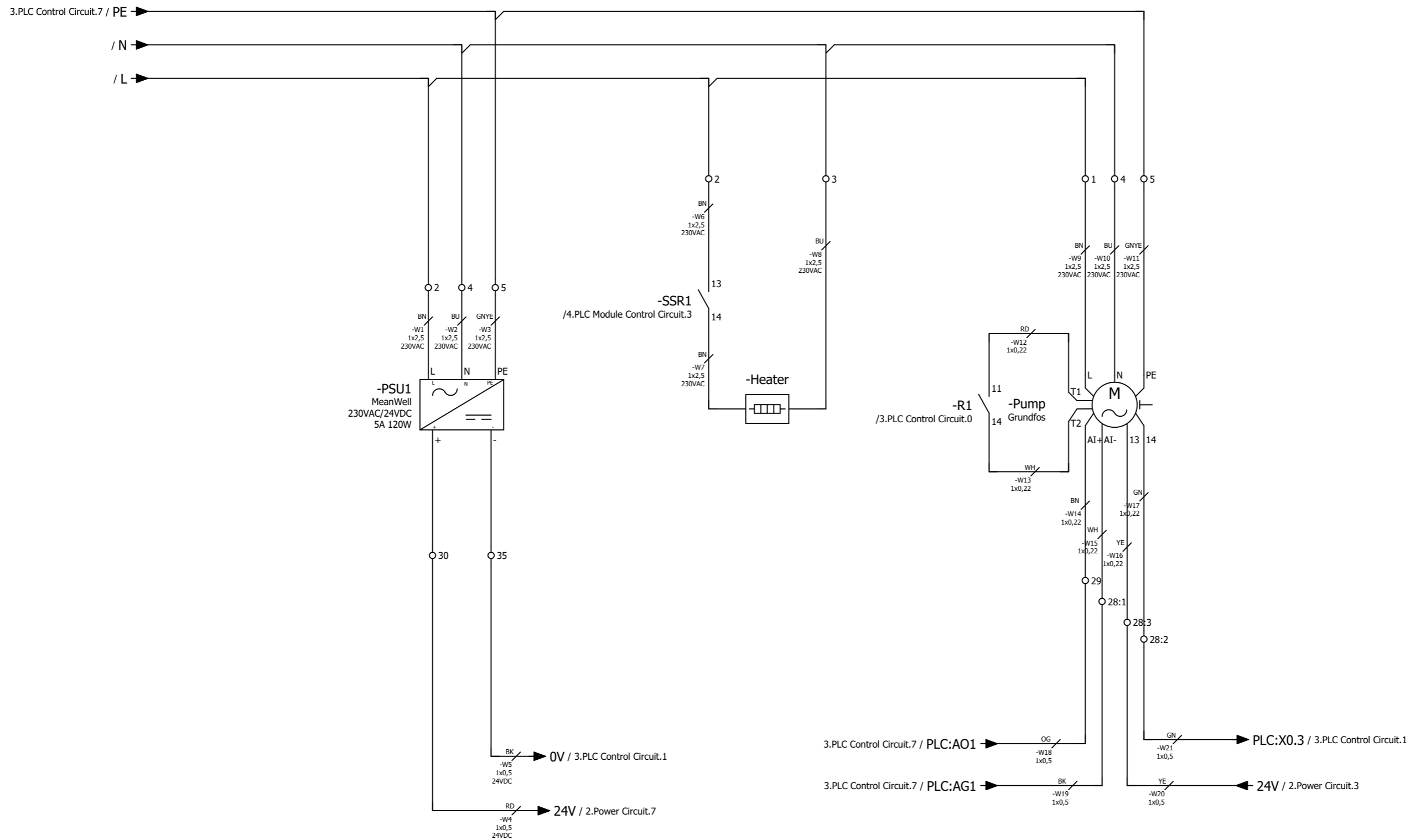
Adress: Fatih Sultan, 2368. Sk. No:10
06790 Etimesgut/Ankara/TÜRKİYE

Phone: +90-312-219-62-59

Fax: +90-312-219-62-50

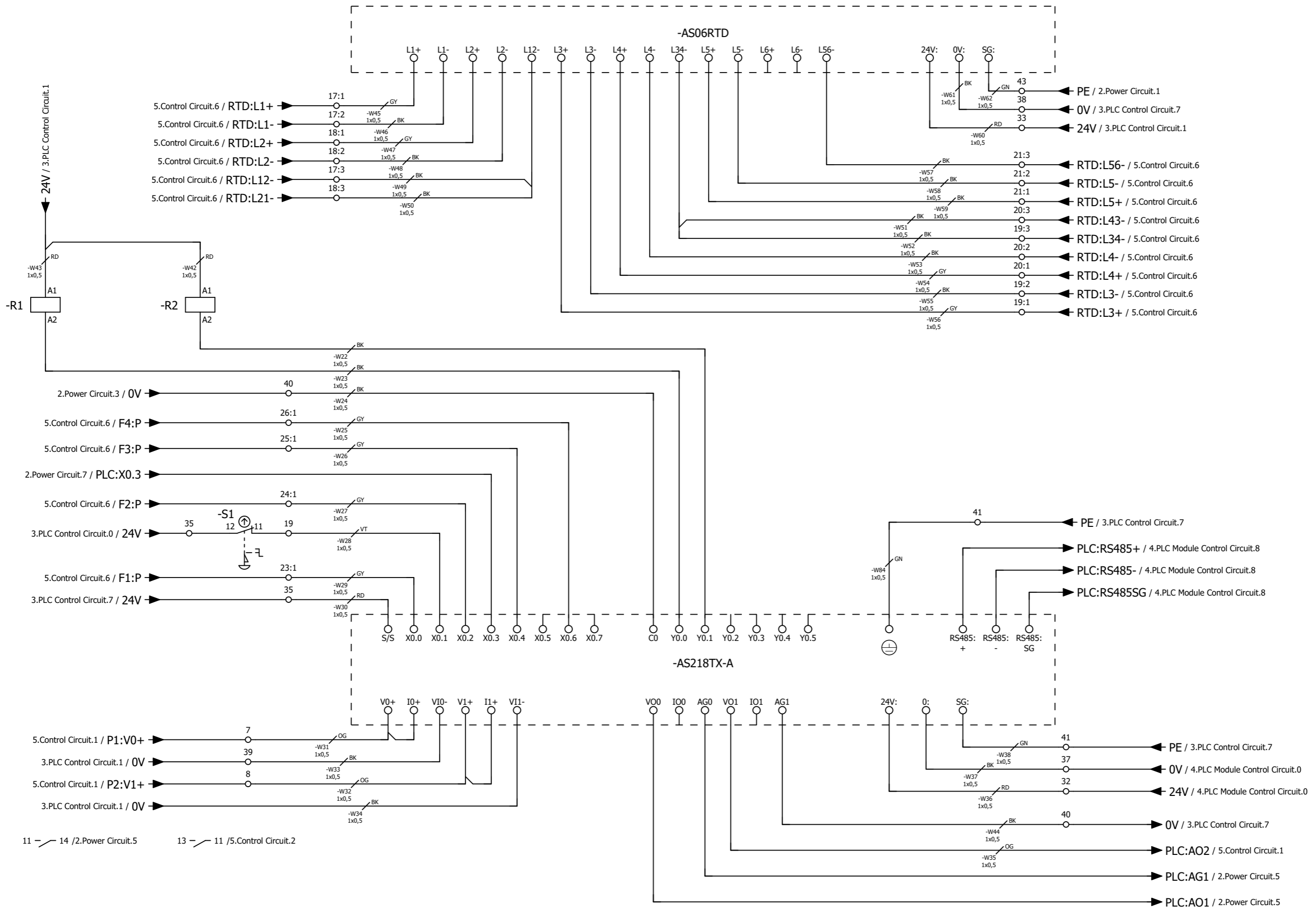
Customer	Bilkent Üniversitesi
Project Description	Bilkent Üniversitesi Isı Kontrol Birimi
Project Number	1
Manufacturer Company	ZENOTEK
Project Name	Bilkent Isı Kontrol Birimi
Brand	ZENOTEK
Place of Installation	Bilkent Üniversitesi
Designed By	Alisina GÜLCÜ
Checked By	Yüksel ÖZKAN
Approved By	Yüksel ÖZKAN
Power Circuit Voltage	220 VAC
Control Circuit Voltage	24 VDC
Creation Date	6.06.2024
Last Edit Date	6.06.2024
Number of Pages: 5	

Manufacturer Company	ZENOTEK	Title	Bilkent Isı Kontrol Birimi		Description	Bilkent Üniversitesi Isı Kontrol Birimi		Page Name	/1	
Designed By	Alisina GÜLCÜ	Document No	1 / 5		Customer	Bilkent Üniversitesi		Address	Fatih Sultan, 2368. Sk. No:10 06790 Etimesgut/Ankara TÜRKİYE	
Checked By	Yüksel ÖZKAN	Date	6.06.2024		Revision			Phone	+90-312-219-62-59	
Approved By	Yüksel ÖZKAN							Fax	+90-312-219-62-50	



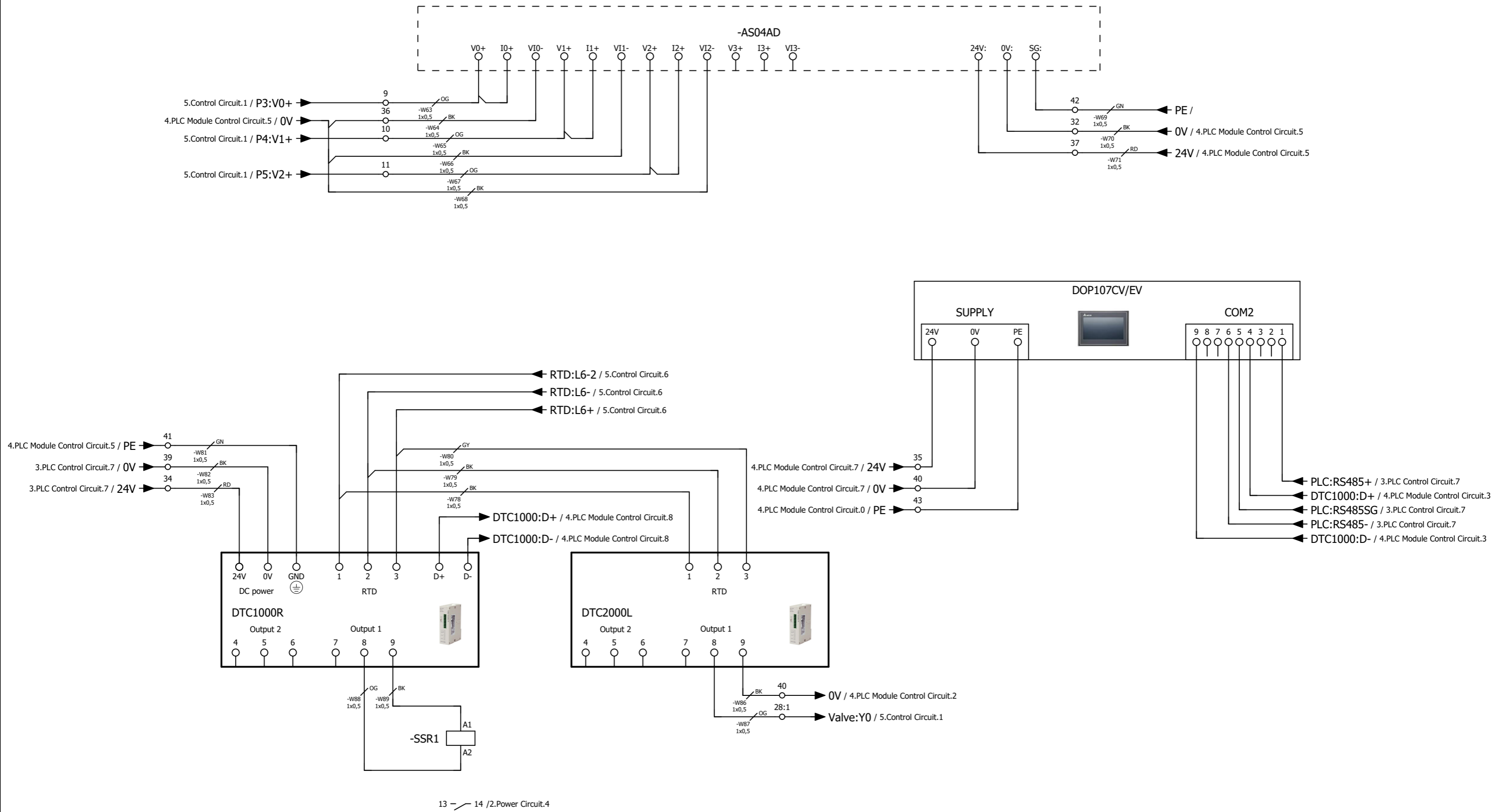
Manufacturer Company	ZENOTEK	Title	Bilkent Isı Kontrol Birimi		Description	Bilkent Üniversitesi Isı Kontrol Birimi		Page Name	/2.Power Circuit	
Designed By	Alisina GÜLCÜ	Document No	2 / 5		Customer	Bilkent Üniversitesi		Address	Fatih Sultan, 2368. Sk. No:10 06790 Etimesgut/Ankara TÜRKİYE	
Checked By	Yüksel ÖZKAN	Date	6.06.2024		Revision			Phone	+90-312-219-62-59	
Approved By	Yüksel ÖZKAN							Fax	+90-312-219-62-50	




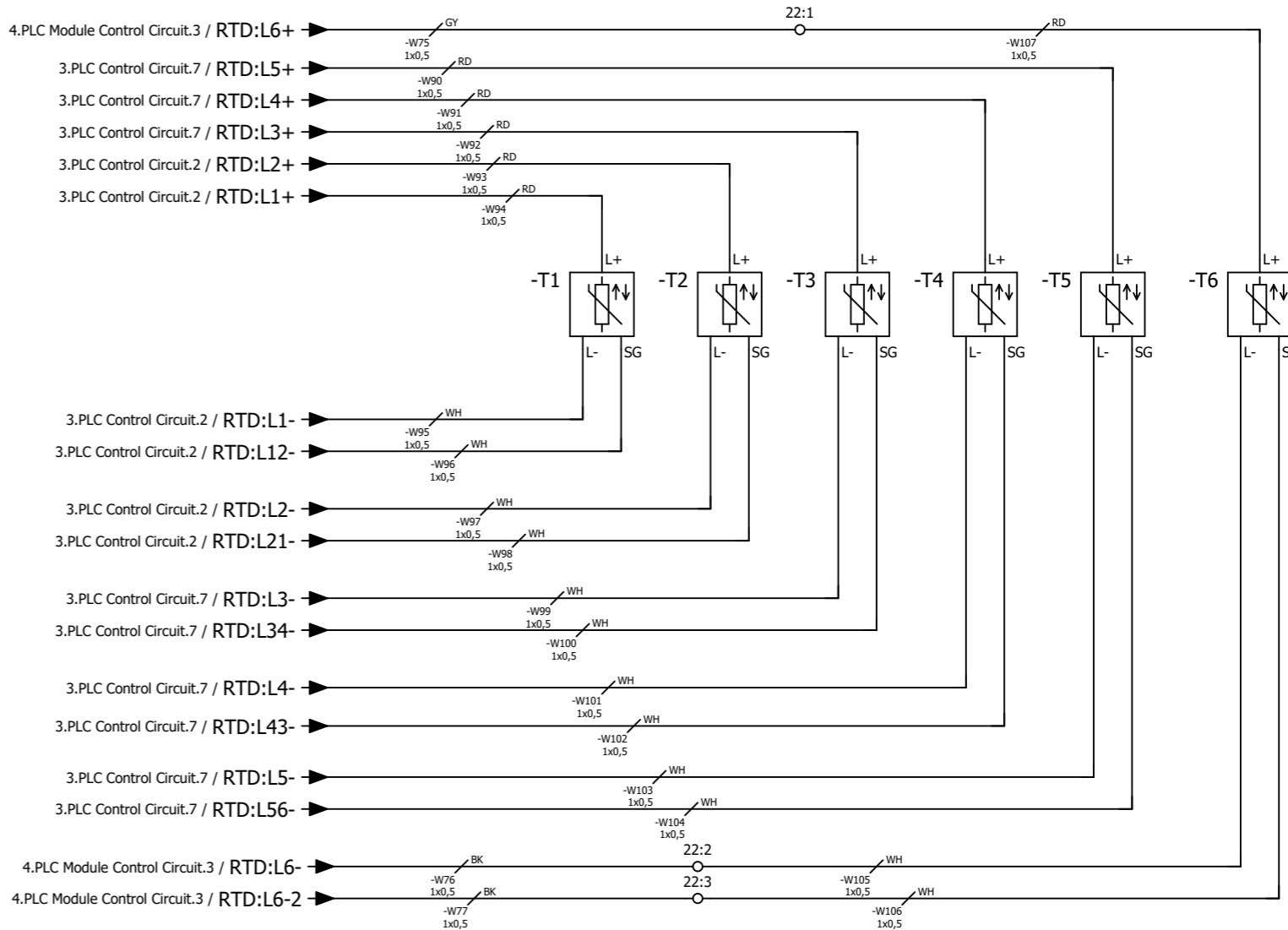
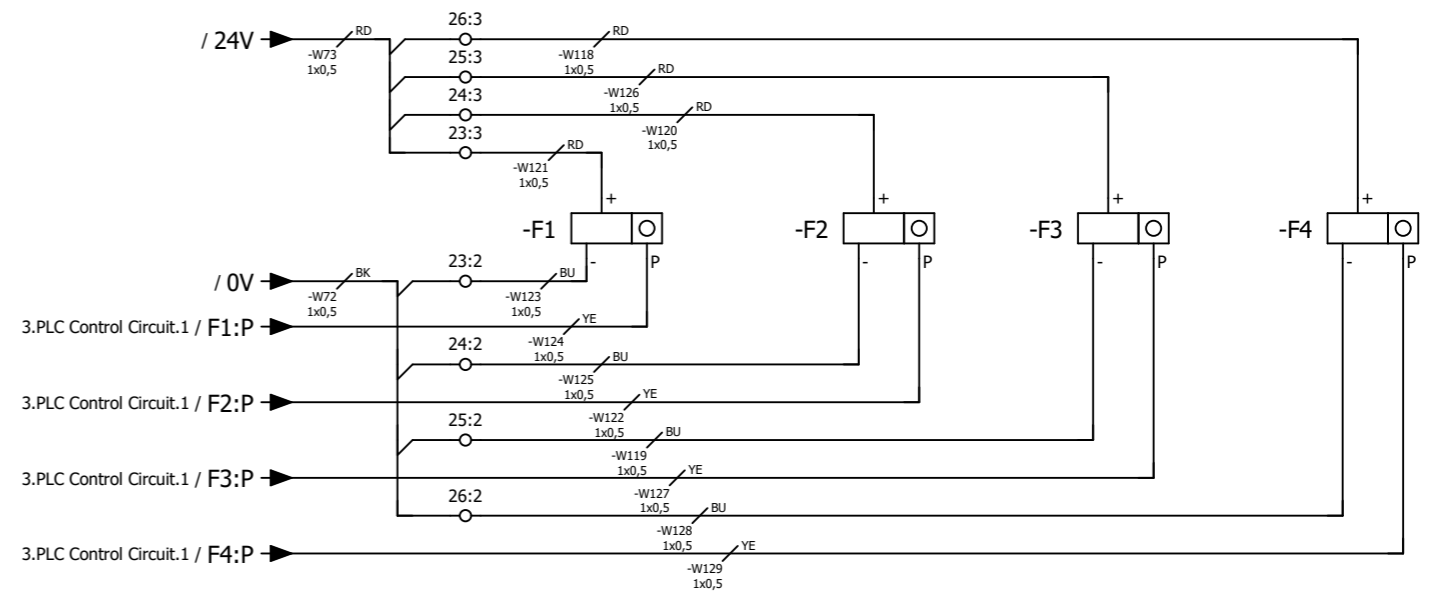
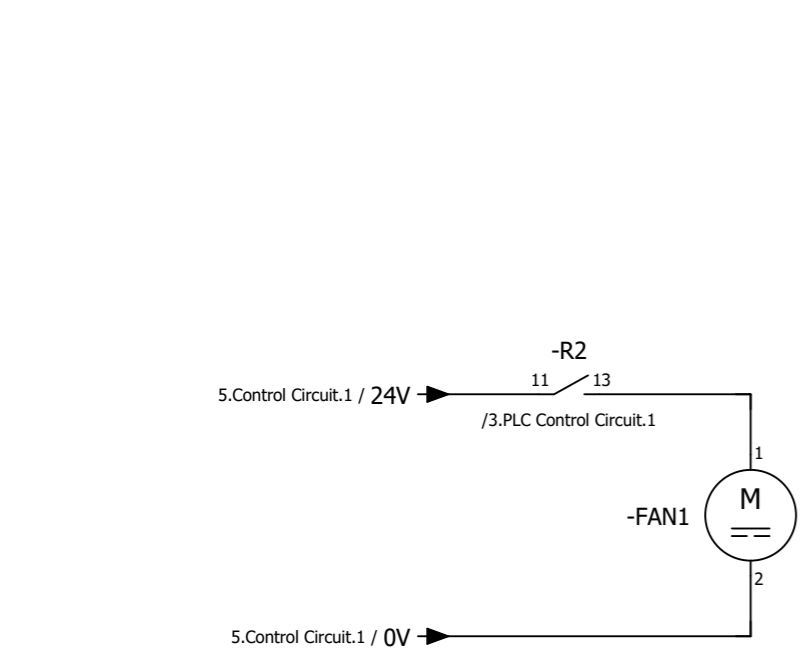
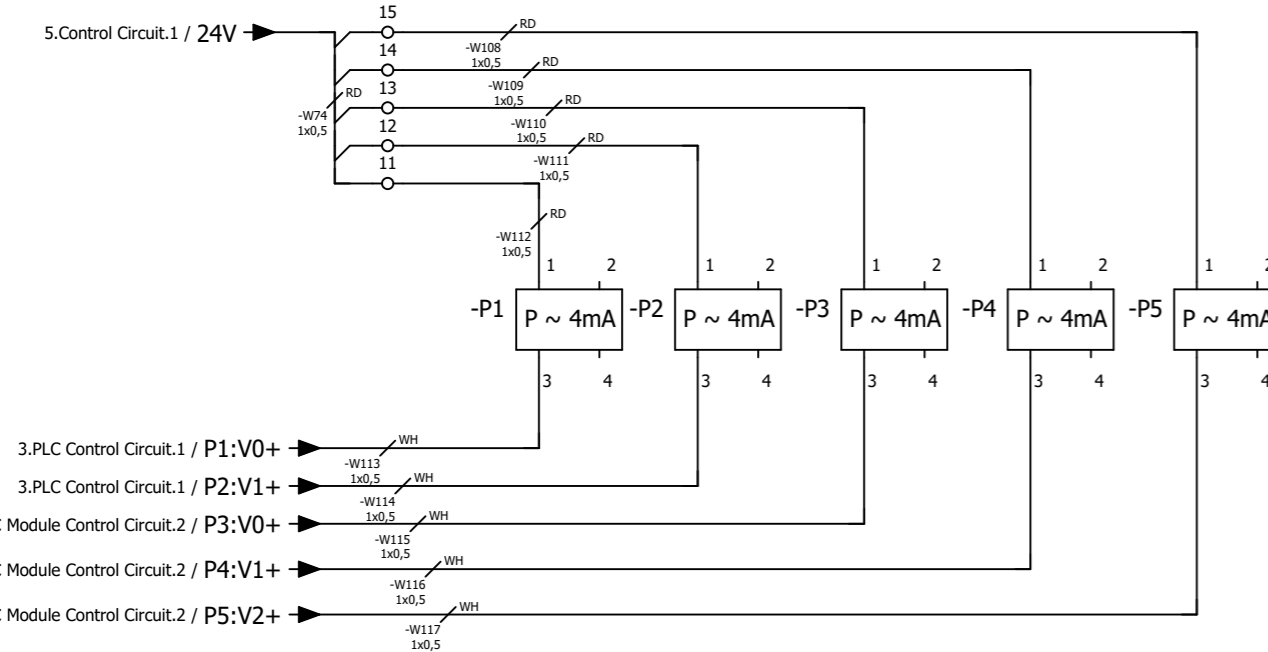
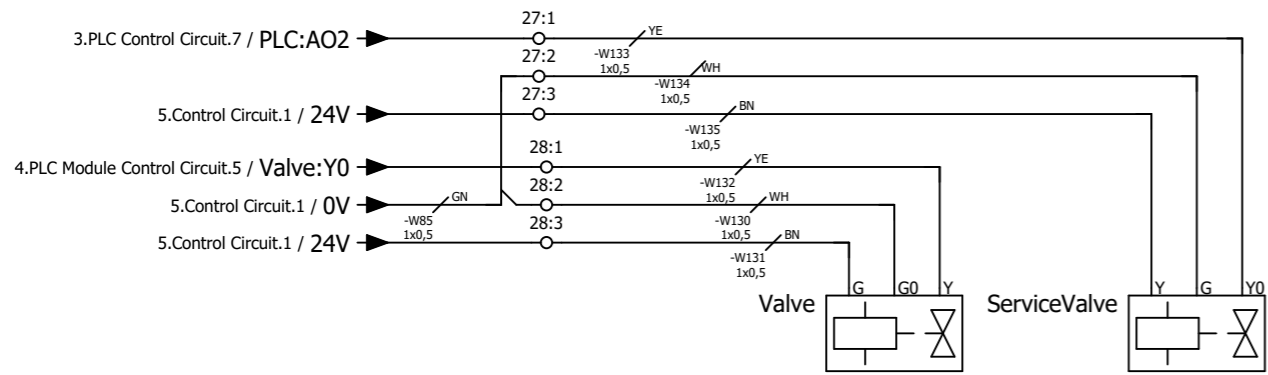


Manufacturer Company	ZENOTEK	Title	Bilkent ısı Kontrol Birimi			Description	Bilkent Üniversitesi Isı Kontrol Birimi		Page Name	/3.PLC Control Circuit		
Designed By	Alisina GÜLCÜ	Document No	3 / 5	Customer	Bilkent Üniversitesi		Address	Fatih Sultan, 2368. Sk. No:10 06790 Etimesgut/Ankara TÜRKİYE		Phone	+90-312-219-62-59	
Checked By	Yüksel ÖZKAN	Date	6.06.2024	Revision			Fax			+90-312-219-62-50		
Approved By	Yüksel ÖZKAN											





Manufacturer Company	ZENOTEK	Title		Description		Page Name		Zenotek 	
Designed By	Alisina GÜLCÜ	Bilkent Isı Kontrol Birimi		Bilkent Üniversitesi Isı Kontrol Birimi		/4.PLC Module Control Circuit			
Checked By	Yüksel ÖZKAN	Document No	4 / 5	Customer	Bilkent Üniversitesi	Adress	Fatih Sultan, 2368. Sk. No:10 06790 Etimesgut/Ankara TÜRKİYE	Phone	+90-312-219-62-59
Approved By	Yüksel ÖZKAN	Date	6.06.2024	Revision				Fax	+90-312-219-62-50



Manufacturer Company	ZENOTEK	Title		Description		Page Name	
Designed By	Alisina GÜLCÜ	Bilkent Isı Kontrol Birimi		Bilkent Üniversitesi Isı Kontrol Birimi		/5.Control Circuit	
Checked By	Yüksel ÖZKAN	Document No	5 / 5	Customer	Bilkent Üniversitesi	Adress	Fatih Sultan, 2368. Sk. No:10 06790 Etimesgut/Ankara TÜRKİYE
Approved By	Yüksel ÖZKAN	Date	6.06.2024	Revision		Phone	+90-312-219-62-59
						Fax	+90-312-219-62-50

